

THIS DRAWING IS UNPUBLISHED. RELEASED FOR PUBLICATION 1825006, 1825006  
 © COPYRIGHT 1825006y - ALL RIGHTS RESERVED.

| LOC | DIST | REVISIONS |     |                           |         |     |      |
|-----|------|-----------|-----|---------------------------|---------|-----|------|
| AD  | 00   | P         | LTR | DESCRIPTION               | DATE    | DWN | APVD |
|     |      | P         |     | REVISED PER ECO-11-004820 | 11MAR11 | RK  | HMR  |

SPECIFICATIONS:

MATERIALS:

CASE-PPS, UL94V0-BLACK  
 COVER-PPS, UL94V0-BLACK  
 ACTUATOR-LCP, UL94V0-WHITE  
 CONTACTS AND TERMINALS-COPPER ALLOY, GOLD OVER NICKEL  
 TAPE SEAL-POLYIMIDE FILM

ELECTRICAL:

CONTACT RATING: NON-SWITCHING: 100mA @ 50VDC  
 SWITCHING: 25mA 24VDC  
 INITIAL CONTACT RESISTANCE: 100 MILLIOHMS MAX. @ 2VDC, 10mA  
 INSULATION RESISTANCE: 100 MEGOHMS MIN. @ 100VDC  
 DIELECTRIC STRENGTH: 300VAC FOR 1 MINUTE  
 LIFE EXPECTANCY: 1000 CYCLES

MECHANICAL:

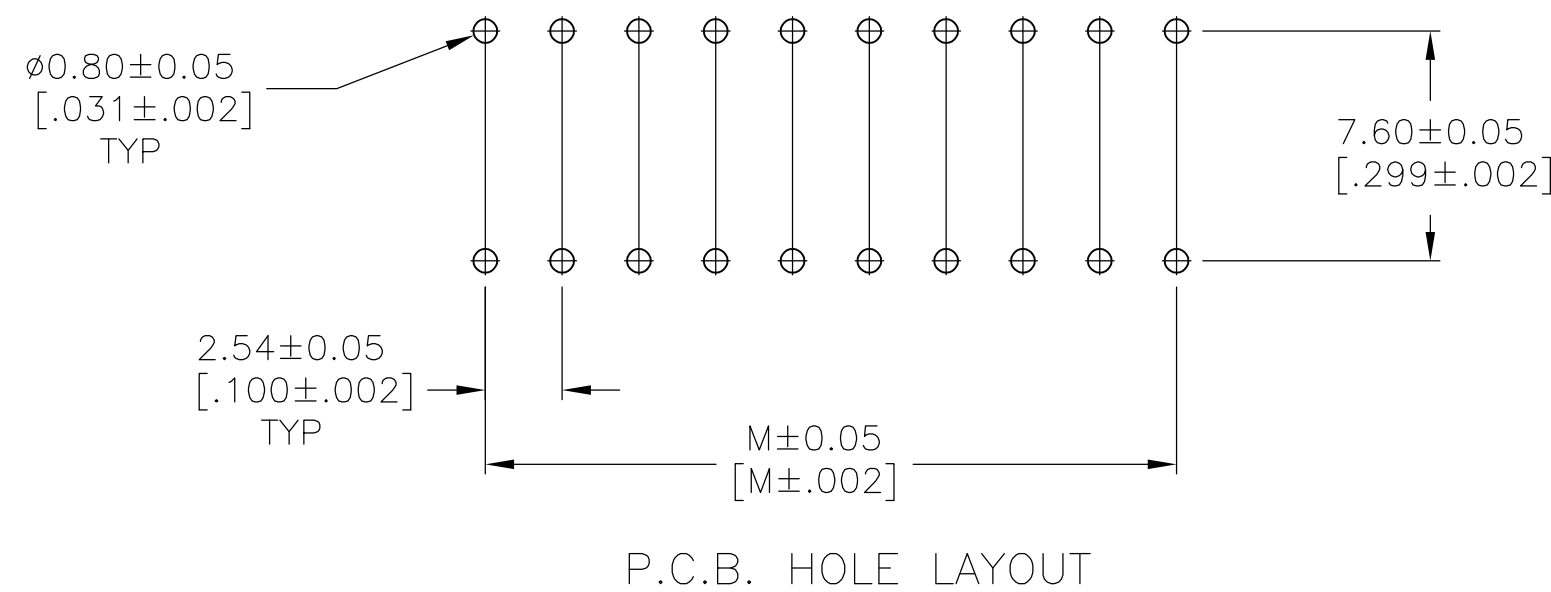
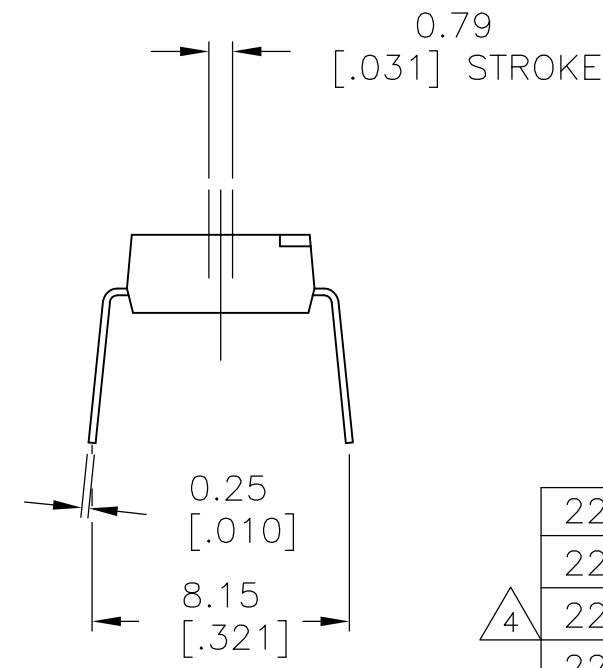
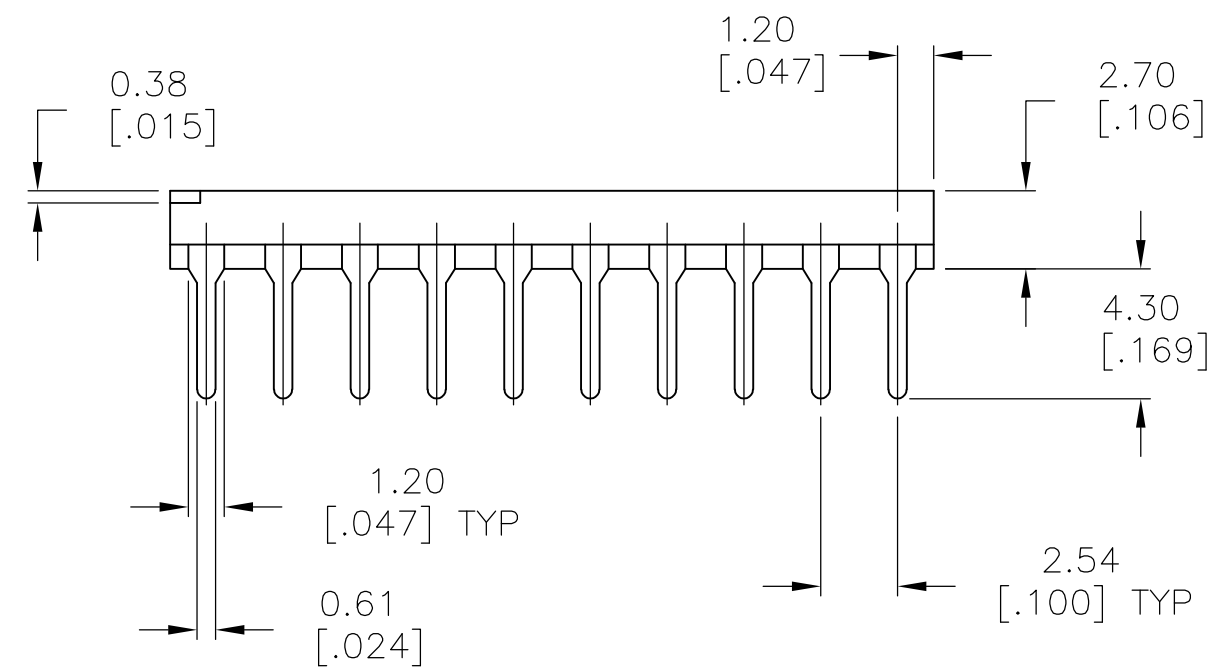
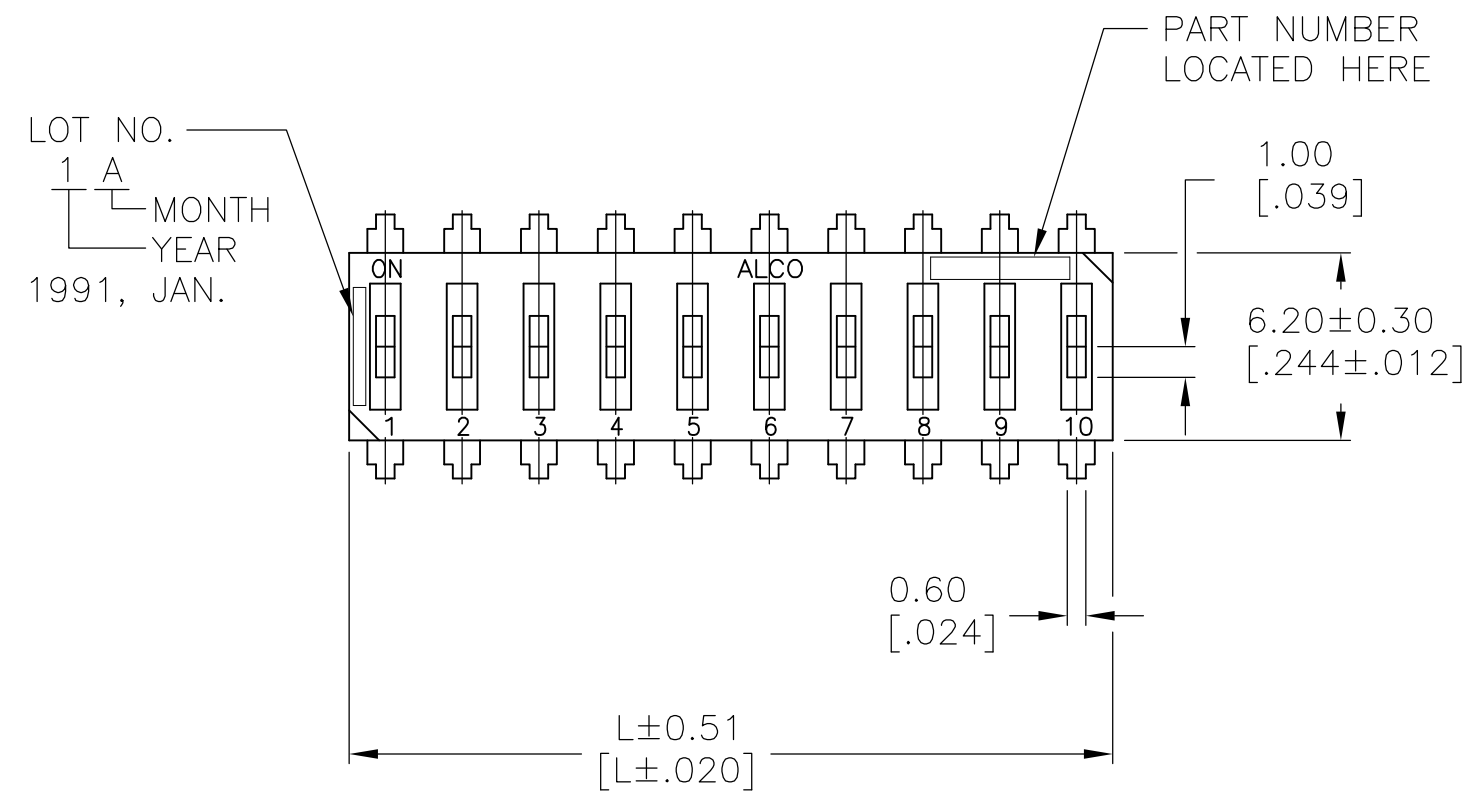
ACTUATION FORCE: 60-600 GRAMS

ENVIRONMENTAL:

OPERATING TEMPERATURE: -45°C TO +100°C  
 STORAGE TEMPERATURE: -45°C TO +100 °C  
 SOLDER HEAT RESISTANCE PER 109-202, CONDITION B (THRU-HOLE) OR 109-201, CONDITION B (SMT)  
 SOLDERABILITY PER JIS C 0500 & JIS C 0053

NOTES:

- TAPE AND REEL PACKAGING PER EIA 481 - PART NO.S GDSXXSTR.
- ALL MATERIALS AND FINISHES SHALL COMPLY WITH EU DIRECTIVE 2002/95/EC OF 27JAN2003 (ROHS)
- SEE SHEET 2 FOR SURFACE MOUNTING DETAILS.
- OBsolete PARTS: OBsolete CIS STREAMLINING PER D.RENAUD/D.SINISI



|   |             |             |      |     |      |             |             |
|---|-------------|-------------|------|-----|------|-------------|-------------|
|   | 22.86[.900] | 25.25[.994] | TAPE | SMT | 10   | GDS10STR04  | 2-1825006-0 |
|   | 22.86[.900] | 25.25[.994] | TAPE | SMT | 10   | GDS10S04    | 1-1825006-9 |
| 4 | 22.86[.900] | 25.25[.994] | NONE | T/H | 10   | GDS10NTS04  | 1-1825006-8 |
|   | 22.86[.900] | 25.25[.994] | TAPE | T/H | 10   | GDS1004     | 1-1825006-7 |
|   | 17.78[.700] | 20.17[.794] | TAPE | SMT | 8    | GDS08STR04  | 1-1825006-6 |
|   | 17.78[.700] | 20.17[.794] | TAPE | SMT | 8    | GDS08S04    | 1-1825006-5 |
| 4 | 17.78[.700] | 20.17[.794] | NONE | T/H | 8    | GDS08NTS04  | 1-1825006-4 |
|   | 17.78[.700] | 20.17[.794] | TAPE | T/H | 8    | GDS0804     | 1-1825006-3 |
|   | 12.7[.500]  | 15.09[.594] | TAPE | SMT | 6    | GDS06STR04  | 1-1825006-2 |
|   | 12.7[.500]  | 15.09[.594] | TAPE | SMT | 6    | GDS06S04    | 1-1825006-1 |
| 4 | 12.7[.500]  | 15.09[.594] | NONE | T/H | 6    | GDS06NTS04  | 1-1825006-0 |
|   | 12.7[.500]  | 15.09[.594] | TAPE | T/H | 6    | GDS0604     | 1825006-9   |
|   | 7.62[.300]  | 10.01[.394] | TAPE | SMT | 4    | GDS04STR04  | 1825006-8   |
|   | 7.62[.300]  | 10.01[.394] | TAPE | SMT | 4    | GDS04S04    | 1825006-7   |
| 4 | 7.62[.300]  | 10.01[.394] | NONE | T/H | 4    | GDS04NTS04  | 1825006-6   |
|   | 7.62[.300]  | 10.01[.394] | TAPE | T/H | 4    | GDS0404     | 1825006-5   |
|   | 2.54[.100]  | 4.93[.194]  | TAPE | SMT | 2    | GDS02STR04  | 1825006-4   |
|   | 2.54[.100]  | 4.93[.194]  | TAPE | SMT | 2    | GDS02S04    | 1825006-3   |
| 4 | 2.54[.100]  | 4.93[.194]  | NONE | T/H | 2    | GDS02NTS04  | 1825006-2   |
|   | 2.54[.100]  | 4.93[.194]  | TAPE | T/H | 2    | GDS0204     | 1825006-1   |
|   | DIM M       | DIM L       | SEAL | MTG | POLE | OLD T&B P/N | PART NO     |

THIS DRAWING IS A CONTROLLED DOCUMENT.

|                  |                |         |
|------------------|----------------|---------|
| DWN              | B.S.VISWESWARA | 03MAR05 |
| CHK              | M.S.SARVER     | -       |
| APVD             | M.S.SARVER     | -       |
| PRODUCT SPEC     | -              | -       |
| APPLICATION SPEC | -              | -       |
| WEIGHT           | -              | -       |
| CUSTOMER DRAWING | -              | -       |

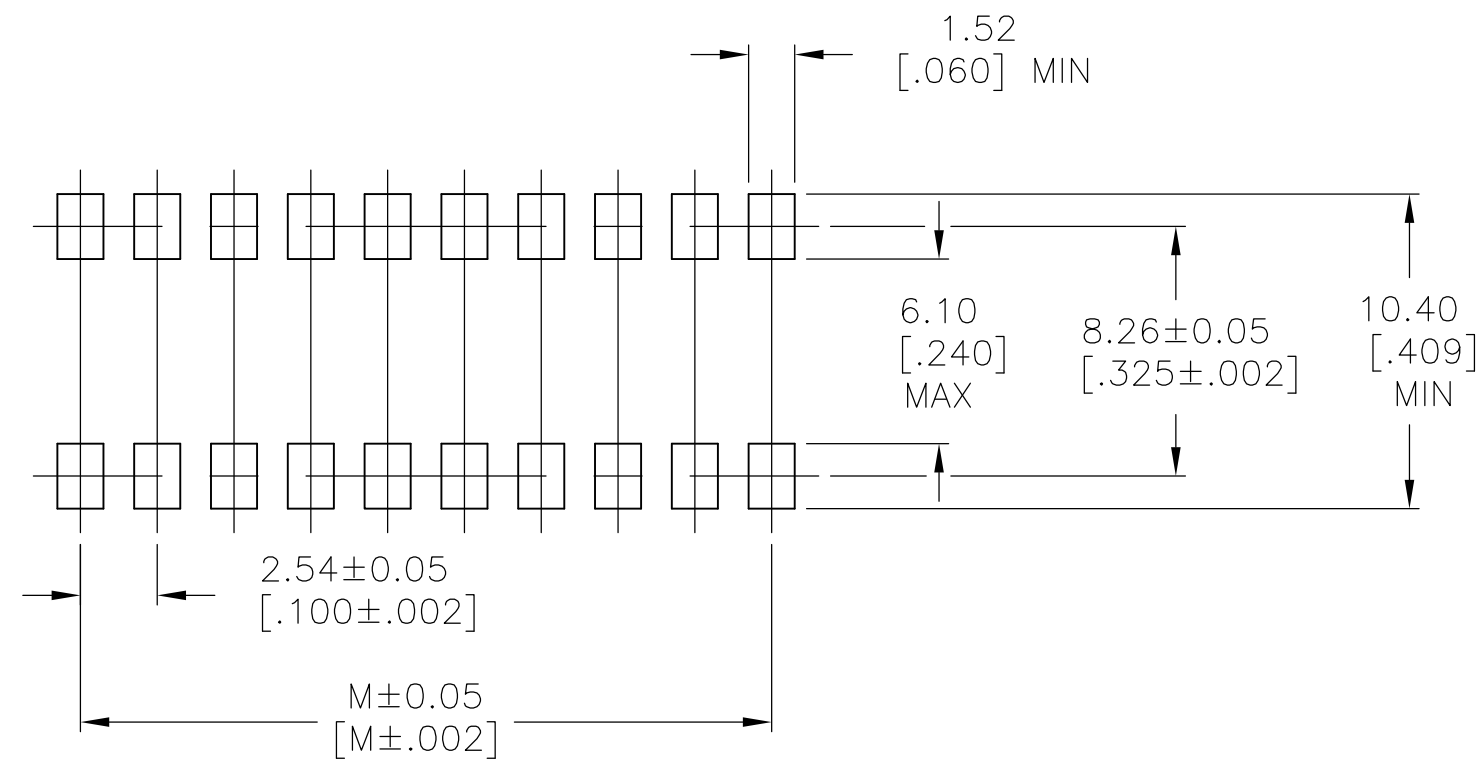
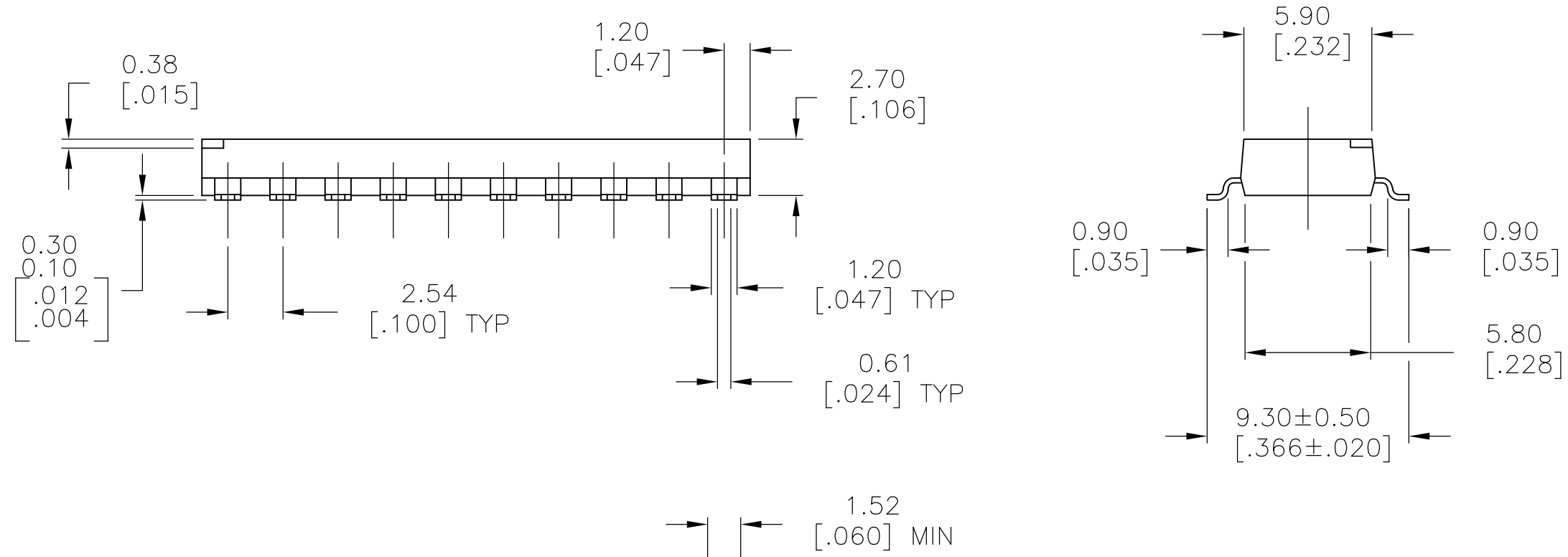
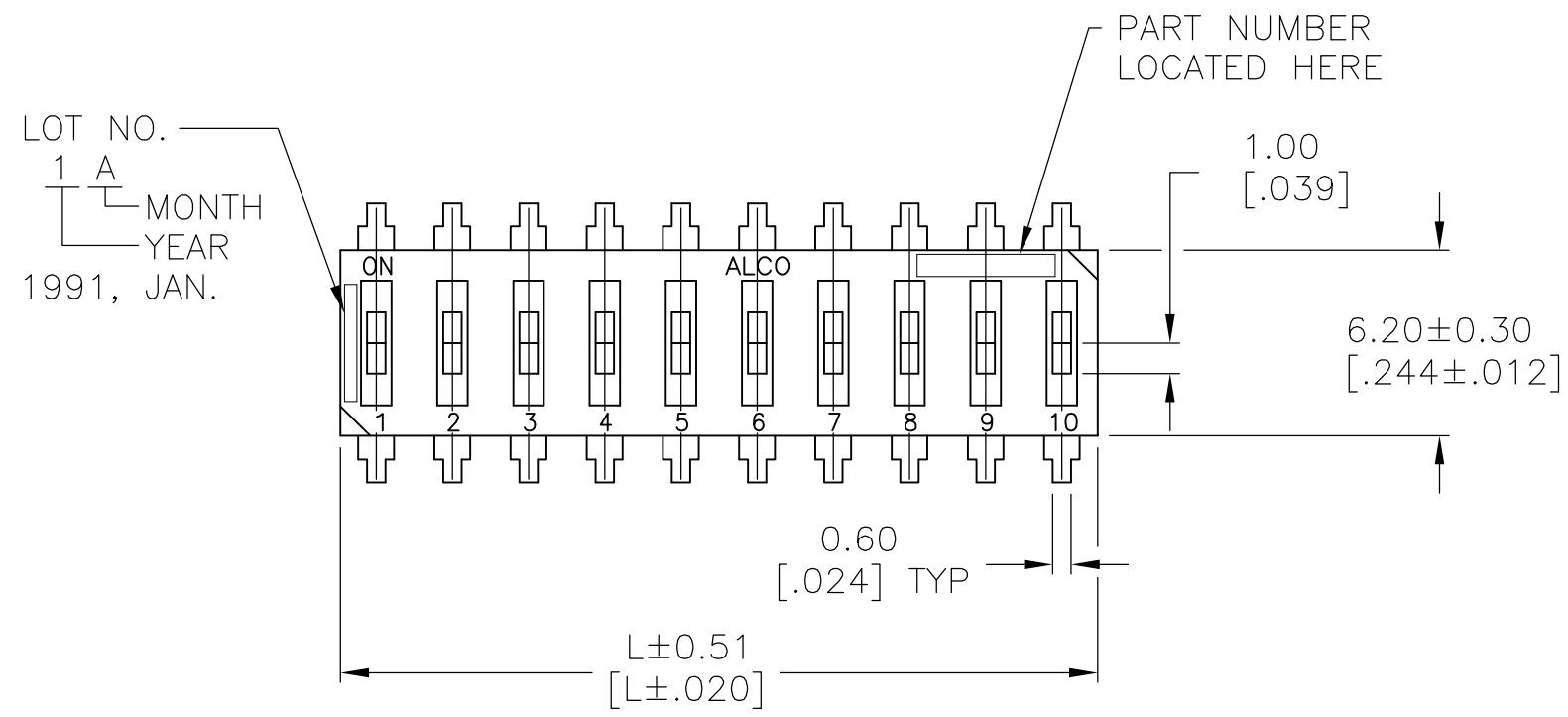
**TE** TE Connectivity

DIP SWITCH ASSEMBLY  
GDS SERIES

|       |     |           |        |            |         |               |   |
|-------|-----|-----------|--------|------------|---------|---------------|---|
| SIZE  | A2  | CAGE CODE | 00779  | DRAWING NO | 1825006 | RESTRICTED TO | - |
| SCALE | 4:1 | SHEET     | 1 OF 2 | REV        | P       |               |   |

THIS DRAWING IS UNPUBLISHED. RELEASED FOR PUBLICATION 1825006, 1825006  
 © COPYRIGHT 1825006y - ALL RIGHTS RESERVED.

| LOC | DIST | REVISIONS |     |             |      |     |      |
|-----|------|-----------|-----|-------------|------|-----|------|
| AD  | 00   | P         | LTR | DESCRIPTION | DATE | DWN | APVD |
|     |      | -         |     | SEE SHEET 1 | -    | -   | -    |



SURFACE MOUNT PAD LAYOUT

|  |  |                            |                                |                 |
|--|--|----------------------------|--------------------------------|-----------------|
| THIS DRAWING IS A CONTROLLED DOCUMENT. |  | DWN B.S.VISWESWARA 03MAR05 | <b>STE</b> TE Connectivity     |                 |
| DIMENSIONS: mm [INCHES]                |  | CHK M.S.SARVER             |                                |                 |
| TOLERANCES UNLESS OTHERWISE SPECIFIED: |  | APVD -                     | NAME                           |                 |
| 0 PLC ± -                              |  | PRODUCT SPEC -             | DIP SWITCH ASSEMBLY GDS SERIES |                 |
| 1 PLC ± -                              |  | APPLICATION SPEC -         | SIZE A2                        | CAGE CODE 00779 |
| 2 PLC ± 0.25[.010]                     |  | WEIGHT -                   | DRAWING NO C=1825006           | RESTRICTED TO - |
| 3 PLC ± -                              |  | CUSTOMER DRAWING           | SCALE 4:1                      | SHEET 2 OF 2    |
| 4 PLC ± -                              |  |                            | REV P                          |                 |
| ANGLES ± 1°                            |  |                            |                                |                 |
| FINISH -                               |  |                            |                                |                 |